



01.08.2020

Valves

 **kalde**[®]
First Choice



Why Kalde?

Kalde produces high quality products, designs and develops integrated solutions for customers worldwide.

It is among the leading companies in production of pipes and fittings with its knowledge and expertise of more than 40 years.

The headquarters of the company is located in Istanbul where the continents of Asia and Europe meet.

Our strategical location at the junction of Europe, Asia and Africa together with a reliable supply chain give us unique advantages in providing our business partners and customers with high quality service as well as the competition in the global markets. Currently, our products are exported to more than 40 countries worldwide including Germany, Hungary, Romania, Austria, Greece, Bulgaria, Russia, Ukraine, Egypt, Syria, Lebanon, etc.

Kalde has product design, development and quality control facilities in 300.000 m².

Kalde produces a wide range of products including PP-R pipes, PP-R fittings, PP-R and brass valves, Al-pex & PE-RT pipes, screw fittings, press fittings, PE-X pipes and collectors. Kalde has internationally accredited certificates from respected organisations such as DVGW SKZ (Germany), CSTB (France) and AENOR (Spain). Furthermore, our management system has been certified by ISO. We are proud of our high quality products and experiences...

Our vision is providing our customers with an increasingly wide portfolio of high quality products and solutions with continuous research and development.

Our goal is to develop long term partnerships with our customers and suppliers.

We create integrated solutions by team work as well as collaboration with our customers and partners.

Having market-focused teams of around 1500 professionals supported by a strong management, we offer our business partners and customers worldwide with value-adding solutions.

As result of these reasons, **kalde** Kalde is the "First Choice" of the users worldwide

Kalde Value Commitment.

Kalde was established by four young engineers dedicated to provide customers with the best service in 1977.

This spirit is still alive and is the essence of our mission statement.

The Success of Kalde is the Result of Various Factors.

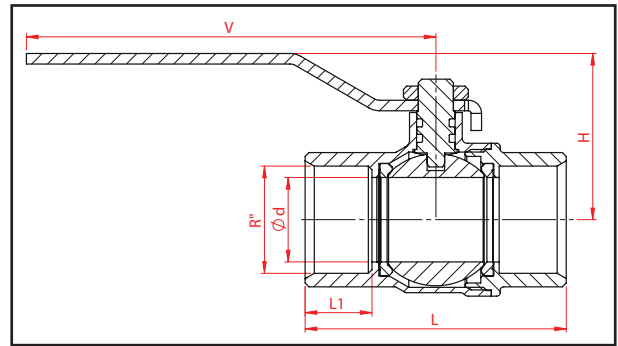
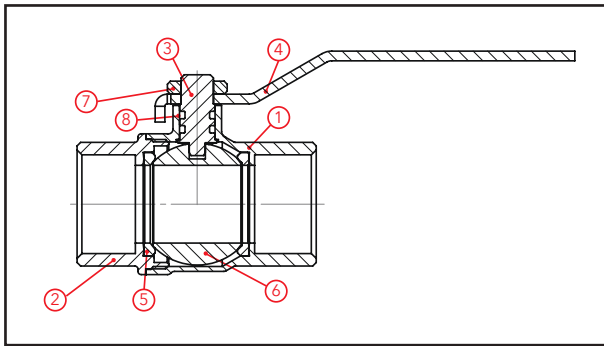
- **High quality** products.
- Utilization of best **practices**.
- Products meeting your **unique** requirements.
- **Proven** products.
- **Total** customer satisfaction.
- **Long term** relationships with each customer.
- A **dedicated** team of around 1500 professionals.

Contents

Normal Type Gas Ball Valve	6
Locking Type Gas Ball Valve	7
Water Ball Valve	10
Radiator Valves	19
Stop Valve	22
Metal (Brass) Filter	24
Straight Check - Valve	26
Check - Valve	27
Pressure Reducing Valve	28
Pressure Valve with Tail	29
Pressure Reducing Valve Assembly and Operating Instructions	30

Valves

Normal Type Gas Ball Valve



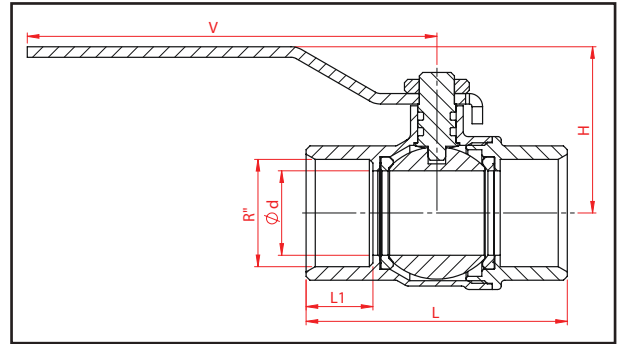
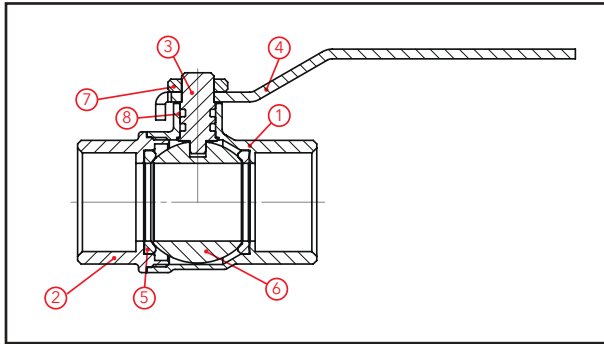
No	Part Name	Material
1	Body	CuZn40Pb2 (Nickel Coated)
2	Bonnet	CuZn40Pb2 (Nickel Coated)
3	Stem	CuZn39Pb3
4	Lever	St37
5	Seals	PTFE / TEFLON
6	Ball	CuZn40Pb2 (Nickel Coated)
7	Nut	St37
8	O-Ring	NBR

Nominal Pressure	MOP 0,5						
Nominal Diameter	DN	15	20	25	32	40	50
Valve Dimensions	R''	1/2"	3/4"	1"	1 1/4"	1 1/2"	2"
	L	53,5	62	73,8	84,5	98	117
	L1	15	16,5	18,5	21,5	21,5	26
	Ød	14	19	24	30	40	50
	H	33,7	37,7	47,3	52,3	65	72
	V	89	89	116,5	116,5	124,5	124,5
Flow Rate, m ³ /h		9,5	16,6	22,8	35,5	60	99,4

Temperature	Pressure	Applications
°C	PN (Bar)	Natural Gas Systems LPG Systems Pressurized Air Systems
-20.....+60	MOP 0,5	

Valves

Locking Type Gas Ball Valve



No	Part Name	Material
1	Body	CuZn40Pb2 (Nickel Coated)
2	Bonnet	CuZn40Pb2 (Nickel Coated)
3	Stem	CuZn39Pb3
4	Lever	St37
5	Seals	PTFE / TEFLON
6	Ball	CuZn40Pb2 (Nickel Coated)
7	Nut	St37
8	O-Ring	NBR
9	Lock	CuZn39Pb3

Nominal Pressure	MOP 0,5			
Nominal Diameter	DN	15	20	25
Valve Dimensions	R''	1/2"	3/4"	1"
	L	53,5	62	73,8
	L1	15	16,5	18,5
	Ød	14	19	24
	H	33,7	37,7	47,3
	V	89	89	116,5
Flow Rate, m ³ /h		9,5	16,6	22,8

Temperature	Pressure	Applications
°C	PN (Bar)	Natural Gas Systems LPG Systems Pressurized Air Systems
-20.....+60	MOP 0,5	

EN 331 Gas Ball Valve Assembly And Operating Instructions

- 1- Before of assembly, remove all foreign material (sand, gravel, dirt, etc.) from the installation.
- 2- First connect one side of the valve to the installation. Then, without allowing the other side to cause tensile stress connect the other side as well.
- 3- The thread length at the end of the metal pipe or -fittings where the valve is to be connected should be shorter than the thread length at the exit and entrance of the valve. To connect pipe and valve do the following: Close the valve and tighten it at the mouth using a wrench. When sealing, do not use teflon and linen excessively because this can cause cracks in the body. Conical screw-threaded pipe cannot be connected to the valve.
- 4- Unpack the valve only when you are going to connect it to the installation.
- 5- Apply force to the valve levers only in the directions indicated by the arrow for opening and closing. When the lever is stopped by the restraint pin, stop applying force to the lever.
- 6- In natural gas, air and LPG installations, distribution and service valves are used. Arm color should be yellow.
- 7- Use the valve in fully open or in fully closed positions.
- 8- When assembling or removing the valve, use wrench openings in both sides. Do not assemble by applying force to the body of the valve.
- 9- All valve parts have a 2- year warranty. In case of malfunction, valve will be replaced free of charge during its warranty period. Do not lose your warranty documents.
- 10- Manually operated ball valve, deterioration of any part or is damaged, the valve will be replaced with a new one. Changes made in any part of the valve, the valve no longer be according to the rules of this standard means that performance.
- 11- Ball valves, as intended because it allows sufficient flow must be assured.
- 12- Malfunctions caused by not following operating instructions in the User's Guide are not covered by the warranty.
- 13- The maximum working pressure of kalde ball gas valves (MOP 0,5) is 0,5 bars. The minimum operating temperature is -20 °C, and the maximum operating temperature is 60 °C. Do not use the valves at higher pressures and outside of this temperature range.
- 14- In installation applications: existing local installation regulations and codes of practice should observed and be taken into consideration.
- 15- Use teflon for sealing when assembling threaded parts and do not overload to screw it. If linen is used as sealing material; care should be taken not to over wrap, In case of excessive use, other brass parts may cause fatigue cracking or breakage over time and separation of plastic and metal from each other.
- 16- Before installation, the products to be used must be visually checked, if there are cracks, broken etc. defects should be returned to our company for replacement without using the product.
- 17- After the installation is finished, the products in the system should be tested for leakage. If there are leaking products should be returned to our company to be replaced with a new one.

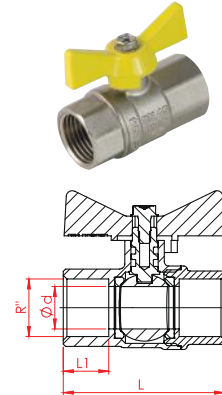
Note: After the installation process is completed, check the connections for leaks with soap bubbles. Do not use the valve if it is leaking. Use Filter fittings the installation for valve security.

Note: Products that have not been checked and tested before and after installation are excluded from the warranty. Any damages arising from this reason are the responsibility of the implementing company.

Valves

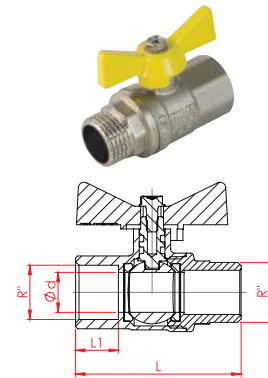
Metallic Ball Valve Female Butterfly Handle

Code	Size	d	R"	L1	L	Pcs.
3391-lgv-0b0002	1/2"	14	1/2"	17	58	80
3391-lgv-0c0002	3/4"	19	3/4"	19	67	50
3391-lgv-100002	1"	24	1"	22	79,8	30
3391-lgv-1a0002	1 1/4"	30	1 1/4"	24,5	92	15



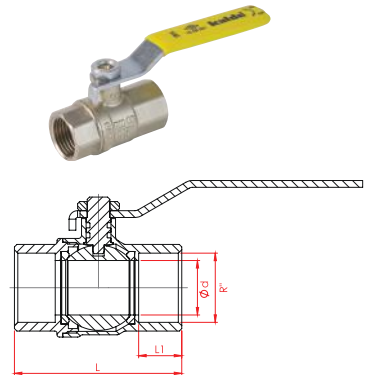
Metallic Ball Valve Male Butterfly Handle

Code	Size	d	R"	L1	L	Pcs.
3391-lgm-0b0002	1/2"	14	1/2"	17	60	80
3391-lgm-0c0002	3/4"	19	3/4"	19	67	50
3391-lgm-100002	1"	24	1"	22	78,8	30
3391-lgm-1a0002	1 1/4"	30	1 1/4"	24,5	90	15



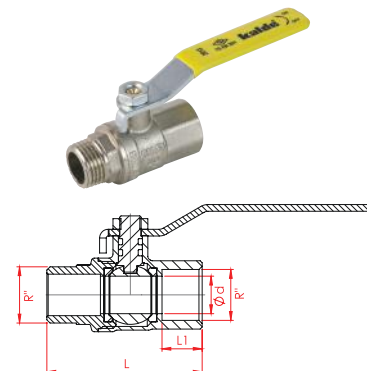
Metallic Ball Valve Female

Code	Size	d	R"	L1	L	Pcs.
3391-lgv-0b0000	1/2"	14	1/2"	17	58	50
3391-lgv-0c0000	3/4"	19	3/4"	19	67	40
3391-lgv-100000	1"	24	1"	22	79,8	20
3391-lgv-1a0000	1 1/4"	30	1 1/4"	24,5	92	15
3391-lgv-1b0000	1 1/2"	40	1 1/2"	24,5	104,3	10
3391-lgv-200000	2"	50	2"	29	124,3	5



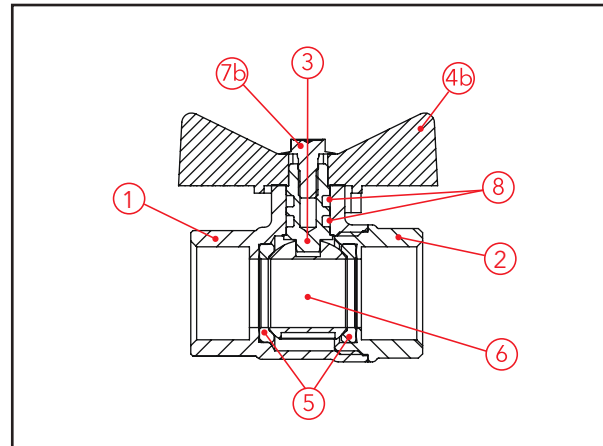
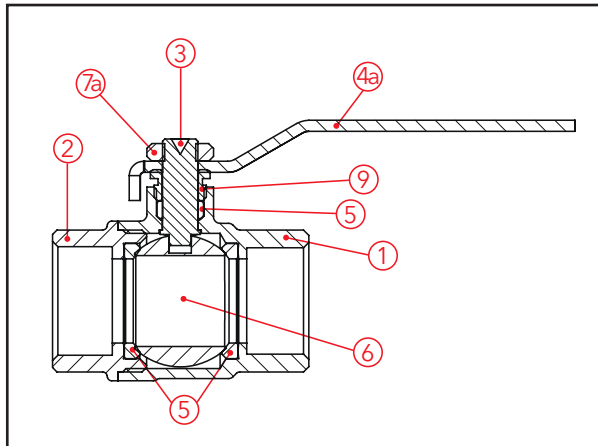
Metallic Ball Valve Male

Code	Size	d	R"	L1	L	Pcs.
3391-lgm-0b0000	1/2"	14	1/2"	17	60	50
3391-lgm-0c0000	3/4"	19	3/4"	19	67	40
3391-lgm-100000	1"	24	1"	22	78,8	20
3391-lgm-1a0000	1 1/4"	30	1 1/4"	24,5	90	15
3391-lgm-1b0000	1 1/2"	40	1 1/2"	24,5	106	10
3391-lgm-200000	2"	50	2"	29	122	5



Valves

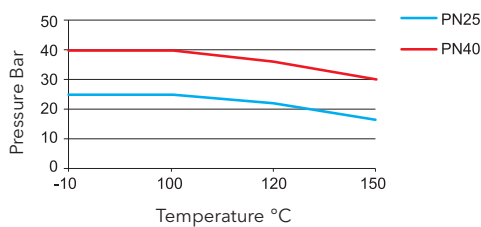
Water Ball Valve



No	Part Name	Material
1	Body	CW617N
2	Bonnet	CW617N
3	Stem	CW614N
4a	Lever	St37
4b	Butterfly Arm	Al
5	Seals	PTFE
6	Ball	CW614N
7a	Bold Nut	St37
7b	Screw	St37
8	O Ring	EPDM
9	Pressure Nut	CW614N

Temperature	Pressure	Applications
°C	PN (Bar)	Ball valves, widely used in water distribution systems as industrial and domestic heating systems, hydraulic, pneumatic and agricultural plants.
-10.....+100	25 - 40	

Pressure /Temperature Chart for Brass Ball Valves

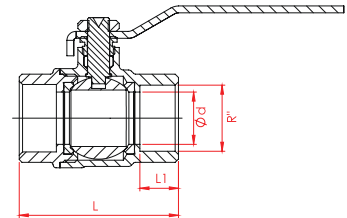


Size	Nominal Pressure (Bar)	Test Pressure (Bar)	Maximum Operating Pressure, Bar Under Temperature, (°C)			
			100°C	120°C	150°C	180°C
1/2"	40	60	40	36	30	24
3/4"	40	60	40	36	30	24
1"	40	60	40	36	30	24
1 1/4"	25	38	25	21,8	16,5	11,3
1 1/2"	25	38	25	21,8	16,5	11,3
2"	25	38	25	21,8	16,5	11,3

Valves

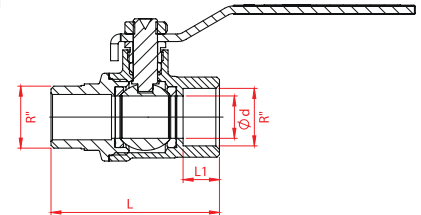
Ball Valve Female

Code	Size	d	R"	L1	L	Pcs.
3391-bfp-0b0001	1/2"	14	1/2"	12	48,5	50
3391-bfp-0c0001	3/4"	19	3/4"	14	58	30
3391-bfp-100001	1"	24	1"	16,5	69	20
3391-bfp-1a0001	1 1/4"	30	1 1/4"	18	78,5	15
3391-bfp-1b0001	1 1/2"	40	1 1/2"	21	98	8
3391-bfp-200001	2"	50	2"	26	118	5



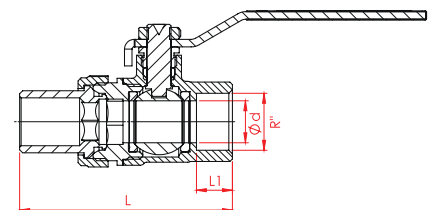
Ball Valve Male

Code	Size	d	R"	L1	L	Pcs.
3391-bmp-0b0001	1/2"	14	1/2"	12	55	50
3391-bmp-0c0001	3/4"	19	3/4"	14	65	30
3391-bmp-100001	1"	24	1"	16,5	75	20
3391-bmp-1a0001	1 1/4"	30	1 1/4"	18	85	15
3391-bmp-1b0001	1 1/2"	40	1 1/2"	21	102	8
3391-bmp-200001	2"	50	2"	26	122	5



Transition Ball Valve

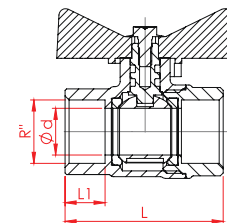
Code	Size	d	R"	L1	L	Pcs.
3391-bap-0b0001	1/2"	14	1/2"	12	76	30
3391-bap-0c0001	3/4"	19	3/4"	14	83	25
3391-bap-100001	1"	24	1"	16,5	96,8	15
3391-bap-1a0001	1 1/4"	30	1 1/4"	18	107,5	10



Valves

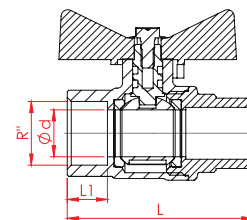
Ball Valve Female Butterfly Handle

Code	Size	d	R"	L1	L	Pcs.
3391-bfp-0b0000	1/2"	14	1/2"	12	48,5	60
3391-bfp-0c0000	3/4"	19	3/4"	14	58	50
3391-bfp-100000	1"	24	1"	16,5	69	30
3391-bfp-1a0000	1 1/4"	30	1 1/4"	18	78,5	20



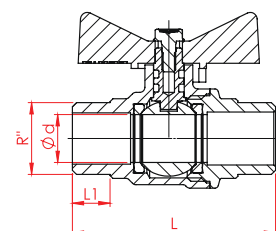
Ball Valve Male Butterfly Handle

Code	Size	d	R"	L1	L	Pcs.
3391-bmp-0b0000	1/2"	14	1/2"	12	55	60
3391-bmp-0c0000	3/4"	19	3/4"	14	65	40
3391-bmp-100000	1"	24	1"	16,5	75	25
3391-bmp-1a0000	1 1/4"	30	1 1/4"	18	85	20



Ball Valve Male-Male Butterfly Handle

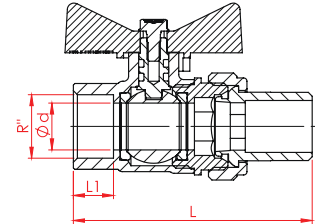
Code	Size	d	R"	L1	L	Pcs.
3391-bpm-0b0000	1/2"	14	1/2"	11	55	70
3391-bpm-0c0000	3/4"	19	3/4"	13	73	40
3391-bpm-100000	1"	24	1"	15	80	25



Valves

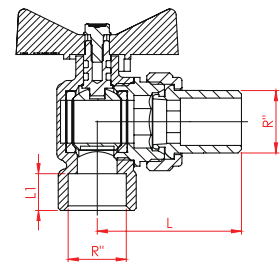
Transition Ball Valve Butterfly Handle

Code	Size	d	R"	L1	L	Pcs.
3391-bap-0b0000	1/2"	14	1/2"	12	76,6	50
3391-bap-0c0000	3/4"	19	3/4"	14	83	40
3391-bap-100000	1"	24	1"	16,5	96,8	20
3391-bap-1a0000	1 1/4"	30	1 1/4"	18	107,5	15



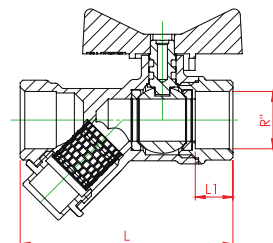
Radiator Valve Elbow Butterfly Handle

Code	Size	R"	L1	L	Pcs.
3391-bep-0b0000	1/2"	1/2"	12	47,2	50
3391-bep-0c0000	3/4"	3/4"	14	55,5	30



Ball Valve With Filter Butterfly Handle

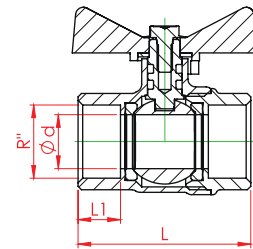
Code	Size	R"	L1	L	Pcs.
3391-bvf-0b0001	1/2"	1/2"	12,5	70,6	50



Valves

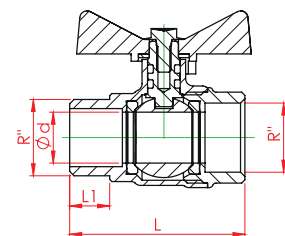
Ball Valve ECO Female - Female Butterfly

Code	Size	d	R"	L1	L	Pcs.
3391-bfe-0b0000	1/2"	14	1/2"	11	45	60
3391-bfe-0c0000	3/4"	19	3/4"	12	53	50
3391-bfe-100000	1"	24	1"	14	63,5	30



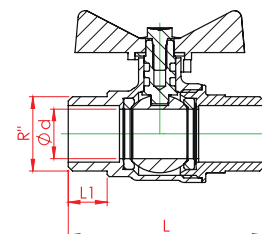
Ball Valve ECO Male - Female Butterfly

Code	Size	d	R"	L1	L	Pcs.
3391-bme-0b0000	1/2"	14	1/2"	11	48,2	60
3391-bme-0c0000	3/4"	19	3/4"	12	54	40
3391-bme-100000	1"	24	1"	14	65	30



Ball Valve ECO Male - Male Butterfly

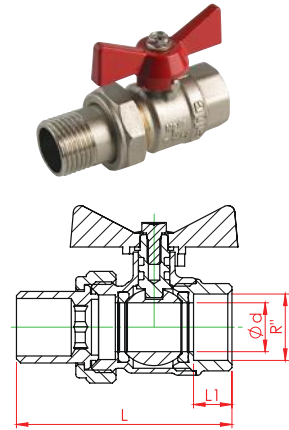
Code	Size	d	R"	L1	L	Pcs.
3391-bpe-0b0000	1/2"	14	1/2"	11	57	60
3391-bpe-0c0000	3/4"	19	3/4"	12	62	50
3391-bpe-100000	1"	24	1"	14	75	30



Valves

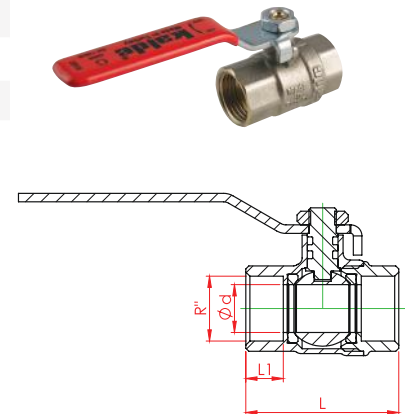
Transition Ball Valve ECO Butterfly

Code	Size	d	R"	L1	L	Pcs.
3391-bae-0b0000	1/2"	14	1/2"	11	63	50
3391-bae-0c0000	3/4"	19	3/4"	12	69	40
3391-bae-100000	1"	24	1"	14	88	25



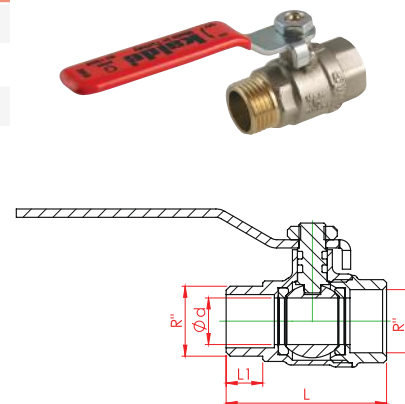
Ball Valve ECO Female - Female

Code	Size	d	R"	L1	L	Pcs.
3391-bfe-0b0001	1/2"	14	1/2"	11	45	50
3391-bfe-0c0001	3/4"	19	3/4"	12	53	40
3391-bfe-100001	1"	24	1"	14	63,5	20



Ball Valve ECO Male - Female

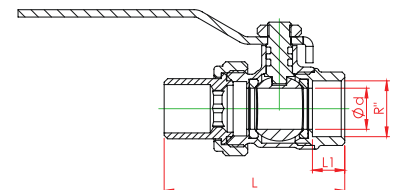
Code	Size	d	R"	L1	L	Pcs.
3391-bme-0b0001	1/2"	14	1/2"	11	48	50
3391-bme-0c0001	3/4"	19	3/4"	12	54	40
3391-bme-100001	1"	24	1"	14	65	25



Valves

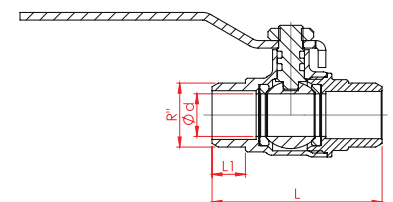
Transition Ball Valve ECO

Code	Size	d	R"	L1	L	Pcs.
3391-bae-0b0001	1/2"	14	1/2"	11	63	30
3391-bae-0c0001	3/4"	19	3/4"	12	69	20
3391-bae-100001	1"	24	1"	14	88	15



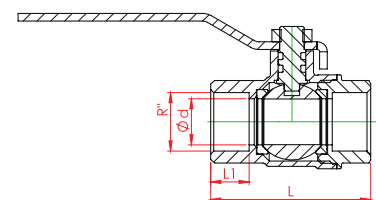
Ball Valve ECO Male - Male

Code	Size	d	R"	L1	L	Pcs.
3391-bpe-0b0001	1/2"	14	1/2"	11	57	50
3391-bpe-0c0001	3/4"	19	3/4"	12	62	40
3391-bpe-100001	1"	24	1"	14	75	20



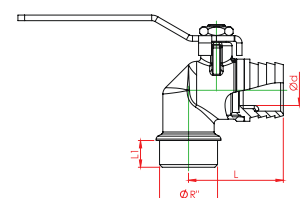
Ball Valve PN10 / Drinking Water / TS EN 13828

Code	Size	d	R"	L1	L	Pcs.
3391-bdv-0b0002	1/2"	15	1/2"	17,5	61,5	50
3391-bdv-0c0002	3/4"	19	3/4"	19	70,5	40
3391-bdv-100002	1"	25	1"	22	80	20
3391-bdv-1a0002	1 1/4"	32	1 1/4"	24,5	97	15
3391-bdv-1b0002	1 1/2"	40	1 1/2"	24,5	106	10
3391-bdv-200002	2"	50	2"	29	124	5



Ball-Tap

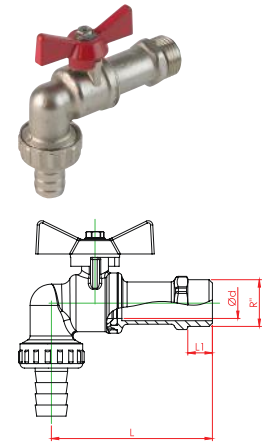
Code	Size	d	R"	L1	L	Pcs.
3391-beb-0c0000	3/4"	14	3/4"	12	42,5	45



Valves

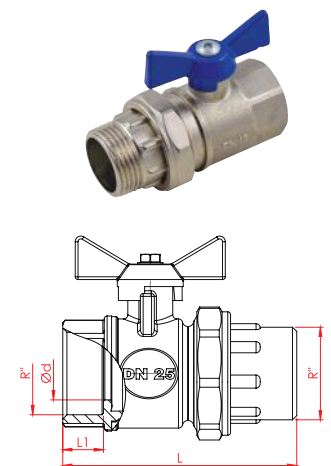
Ball Tap with Union

Code	Size	d	R"	L1	L	Pcs.
3391-bev-0b0000	1/2"	14	1/2"	12	77	30
3391-bev-0c0000	3/4"	14	3/4"	13	78	30



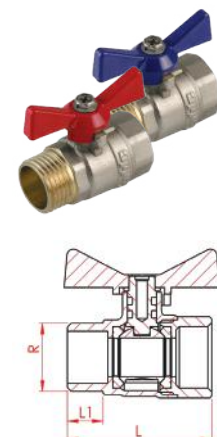
Ball Valve with Union

Code	R"	d	L1	L	Pcs.
3391-bvb-100000	● 1"	21,5	14,5	83,5	30
3391-bvr-100000	● 1"	21,5	14,5	83,5	30



Mini Ball Valve

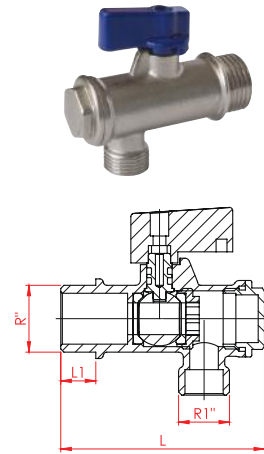
Code	Size	d	R"	L1	L	Pcs.
3391-vlm-0b0000	1/2"	14	1/2"	11	45	100
3391-vlm-0b0001	1/2"	14	1/2"	11	45	100



Valves

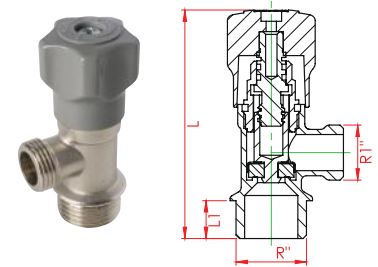
Angle Stop Valve with Filter

Code	Size	R1"	R"	L1	L	Pcs.
3391-bef-0d0000	1/2"	3/8"	1/2"	11	64	100



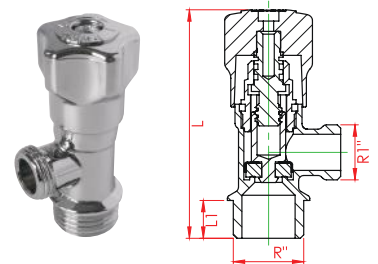
Bidet Tap - Grey Handle

Code	Size	R1"	R"	L1	L	Pcs.
3391-vlp-0d0000	1/2"	3/8"	1/2"	11	66,5	125



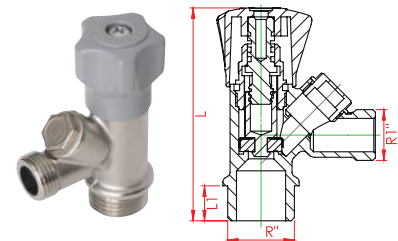
Bidet Tap - Chrome Handle

Code	Size	R1"	R"	L1	L	Pcs.
3391-vlp-0d0001	1/2"	3/8"	1/2"	11	66,5	100



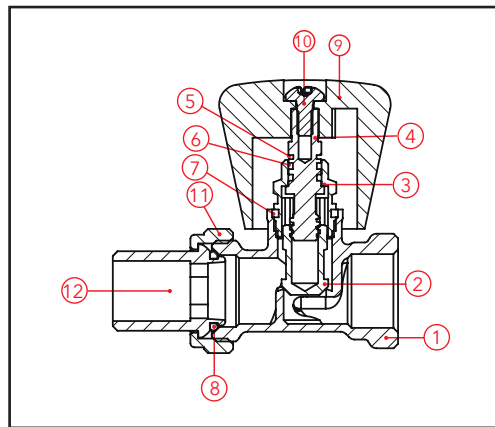
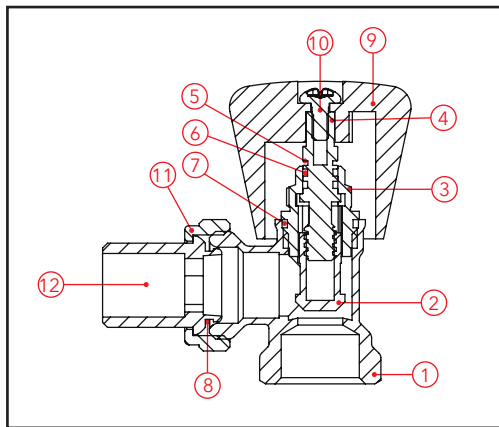
Bidet Tap with Filter

Code	Size	R1"	R"	L1	L	Pcs.
3391-vfp-0d0000	1/2"	3/8"	1/2"	11	67	100



Valves

Radiator Valves

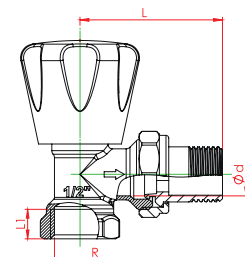


No	Part Name	Material
1	Body	CW617N
2	Bearer	CW614N
3	Stuffing Body	CW614N
4	Stem	CW614N
5	Piston Ring	CW614N
6	O Ring	EPDM
7	O Ring	EPDM
8	O Ring	EPDM
9	Flywheel	ABS
10	Screw	St37
11	Tail Nut	CW617N
12	Tail	CW617N

Temperature	Pressure	Applications
°C	PN (Bar)	It is used as the radiator inlet and outlet valves.
-20.....+120	10	

Valve for Radiator - Elbow - TS 579 Hexagonal Handle

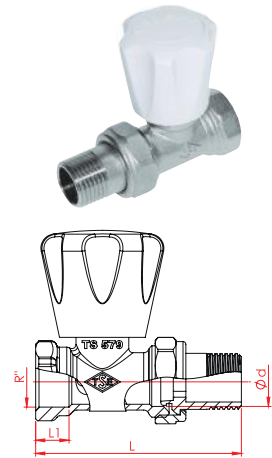
Code	Size	d	R"	L1	L	Pcs.
3391-vrg-0b0010	1/2"	16	1/2"	12,5	53,5	40
3391-vrg-0c0000	3/4"	16	3/4"	12,5	57,2	30



Valves

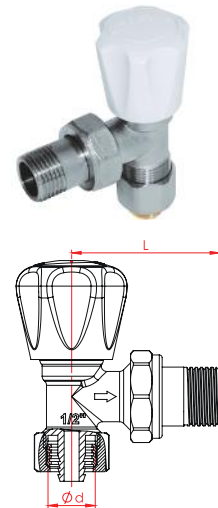
Valve for Radiator - Straight - TS 579 Hexagonal Handle

Code	Size	d	R"	L1	L	Pcs.
3391-vrr-0b0010	1/2"	17	1/2"	12,5	74,5	40
3391-vrr-0c0000	3/4"	17	3/4"	12,5	79,5	30



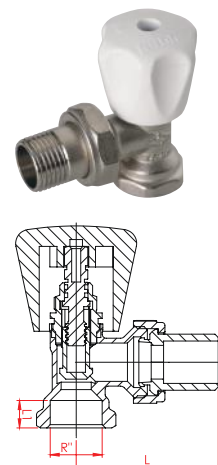
Valve for Radiator - PE-X Hexagonal Handled

Code	Size	d	L	Pcs.
3391-vrg-0b0011	1/2"	17	55	40



Valve for Radiator - Elbow - Light

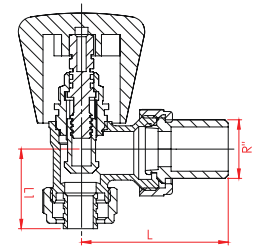
Code	Size	R"	L1	L	Pcs.
3391-rel-0b0010	1/2"	1/2"	10	52	50



Valves

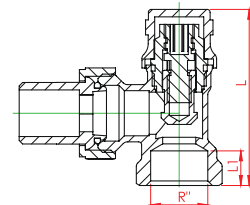
Valve for Radiator - PE-X - Light

Code	Size	R"	L1	L	Pcs.
3391-rel-0b0011	1/2"	1/2"	28	52	50



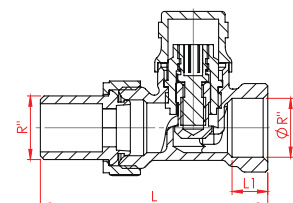
Valve for Radiator Return - Elbow

Code	Size	R"	L1	L	Pcs.
3391-vrg-0b0020	1/2"	1/2"	12	50	60



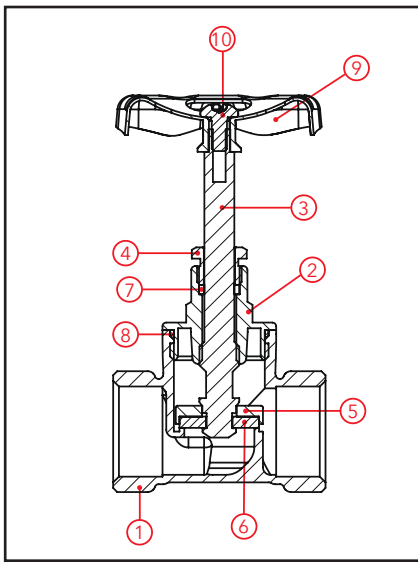
Valve for Radiator Return - Straight

Code	Size	R"	L1	L	Pcs.
3391-vrr-0b0020	1/2"	1/2"	11,5	73	60



Valves

Stop Valve

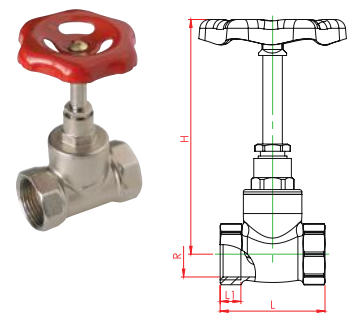


No	Part Name	Material
1	Body	CW617N
2	Bonnet	CW617N
3	Stem	CW614N
4	Pressure Nut	CW614N
5	Washer	CW614N
6	Seals	EPDM
7	Seals	EPDM
8	O-Ring	EPDM
9	Wheel	St37
10	Screw	St37

Temperature	Pressure	Applications
°C	PN (Bar)	Hot and cold water applications.
-20.....+100	25 - 40	

Stop Valve

Code	Size	R"	L1	L	H	Pcs.
3811-vlf-0b0000	1/2"	1/2"	11	48	101	25
3811-vlf-0c0000	3/4"	1/2"	12	56	101	25
3811-vlf-100000	1"	3/4"	14	70	101	15



Ball Valve Assembly And Operating Instructions

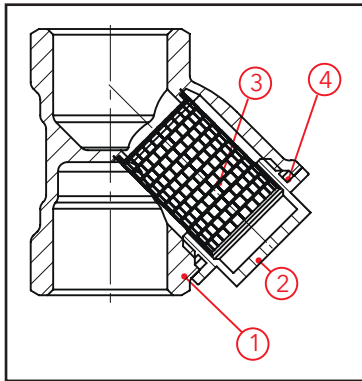
- 1- Prior to assembly, remove all foreign material (sand, gravel, dirt, etc.) from the installation.
- 2- First connect one side of the valve to the installation. Then, without allowing the other side to cause tensile stress connect the other side as well.
- 3- The thread length at the end of the metal pipe or -fittings where the valve is to be connected should be shorter than the thread length at the exit and entrance of the valve. To connect pipe and valve do the following: Close the valve and tighten it at the mouth using a wrench. When sealing, do not use teflon and linen excessively because this can cause cracks in the body. Conical screw-threaded pipe cannot be connected to the valve.
- 4- Unpack the valve only when you are going to connect it to the installation.
- 5- Apply force to the valve levers only in the directions indicated by the arrow for opening and closing. When the lever is stopped by the restraint pin, stop applying force to the lever.
- 6- Drinking water, potable water, and air installations, distribution and service valves are used.
- 7- Use the valve in fully open or in fully closed positions.
- 8- When assembling or removing the valve, use wrench openings in both sides. Do not assemble by applying force to the body of the valve.
- 9- All valve parts have a 2 year warranty. In case of malfunction, valve will be replaced free of charge during its warranty period. Do not lose your warranty documents.
- 10-Malfunctions caused by not following operating instructions in the User's Guide are not covered by the warranty.
- 11-The maximum working pressure of bosfor ball water valves is for PN25 25 bars, PN40 40 bars. The minimum operating temperature is -10 °C, maximum operating temperature is 100 °C. Do not use the valves at higher pressures and outside of this temperature range.
- 12-In installation applications: existing local installation regulations and codes of practice should observed and be taken into consideration.
- 13-Use teflon for sealing when assembling threaded parts and do not overload to screw it. If linen is used as sealing material; care should be taken not to over wrap, In case of excessive use, other brass parts may cause fatigue cracking or breakage over time and separation of plastic and metal from each other.
- 14-Before installation, the products to be used must be visually checked, if there are cracks, broken etc. defects should be returned to our company for replacement without using the product.
- 15-After the installation is finished, the products in the system should be tested for leakage. If there are leaking products should be returned to our company to be replaced with a new one.

Note: After the installation process is completed, check the connections for leaks with soap bubbles. Do not use the valve if it is leaking. Use Filter fittings the installation for valve security.

Note: Products that have not been checked and tested before and after installation are excluded from the warranty. Any damages arising from this reason are the responsibility of the implementing company.

Valves

Metal (Brass) Filter



Kalde filters have a wide application area. Filters installed in the entrance of the installation it filters rust, lime and other solid particles, inside the fluids by the stainless steel filter. So it protect especially such as ball valve fittings and such as washing machine, dishwasher, boiler, etc. It prevents malfunction of electronic devices.

Filters have a functional design and provide enhancing performance of your installations. It can be opened and clean easily only by removing the stopend. It have a wide range of use like 25 bar pressure, 95 °C operating temperature, so you can use safely. Filters consist with these parts; Body (brass)- Filter (Stainless Steel Filter Part) - Seal - stopend.

Sandblasted surface of the filter body, the treaded of the connection complies with EN 10226-1. Stainless steel filters consist with welded roller. It sit on the surface of sits in the stopend and which is mounted to the body and can be opened easily to maintenance.

There is an EPDM O-Ring between the body and stopend.

No	Part Name	Material
1	Body	CW617N
2	Stopend	CW617N
3	Filter	AISI 304
4	O-ring	EPDM

Specification

Filter Wire Thickness	Filter Hole Diameter
0,20mm	450 micron

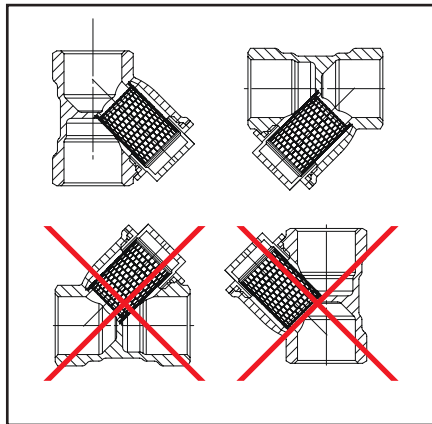
Chemical Composition of the Stainless Steel Filter

	C	Si	Mn	P	S	Ni	Cr
Maximum	≤ 0,08	≤ 1	≤ 2	≤0,045045	≤0,03	8-10,5	18-20
Value	0,063	0,51	1,18	0,029	0,006	8,01	18

Valves

Temperature	Pressure	Applications
°C	PN (Bar)	
0.....+90	25	Hot and cold water applications.

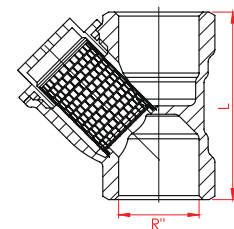
Filter Mounting To Be Considered:



- While cleaning, the deformed seal (o-rings) should not be used on stopend, should be replaced with a new one.
- Teflon tape should be used for leakproofing on screw thread connections.
- Before mounting the filter on the pipeline be sure that there is no burrs, rust, foreign parts and debris.
- It should be use suitable tools on hexagonal edge of the body while mounting.
- Filter must cleaned certain periods by removing stopend.
- Direction arrow on the body must appropriate with flow direction while mounting.

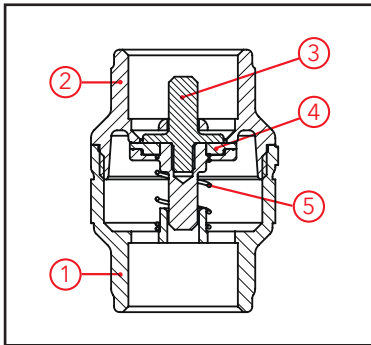
Filter

Code	R"	L	Pcs.
3811-flt-0b0000	1/2"	46	70
3811-flt-0c0000	3/4"	56	40
3811-flt-100000	1"	70	25
3811-flt-1a0000	1 1/4"	84	15
3811-flt-1b0000	1 1/2"	98	8
3811-flt-200000	2"	114	6



Valves

Straight Check - Valve

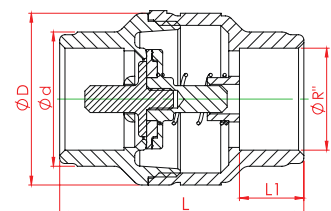


No	Part Name	Material
1	Body	CW617N
2	Bonnet	CW617N
3	Internal	CW617N
4	Seals	EPDM
5	Spring	AISI 304

Temperature	Pressure	Applications
°C	PN (Bar)	Hot and cold water applications.
0.....+95	10	

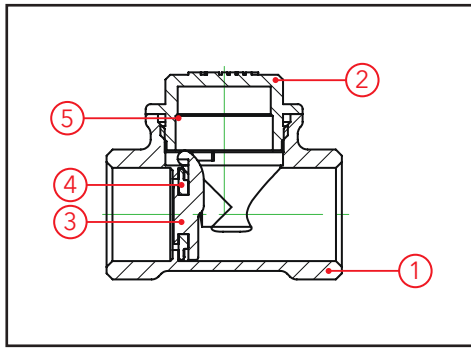
Check-Valve

Code	R"	d	D	L1	L	Pcs.
3811-cvl-0b0000	1/2"	25	32	12	45.5	80
3811-cvl-0c0000	3/4"	33	37	13	47.5	60
3811-cvl-100000	1"	41	46	16	58.5	40
3811-cvl-1a0000	1 1/4"	53	56.5	17	61.5	25
3811-cvl-1b0000	1 1/2"	58	65	18	66	20
3811-cvl-200000	2"	71	74.5	20	76	8
3811-cvl-2b0000	2 1/2"	91	95	24	90.5	4
3811-cvl-300000	3"	103	111	26	96	2



Valves

Check-Valve

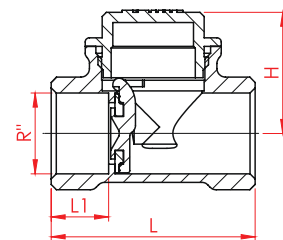


No	Part Name	Material
1	Body	CW617N
2	Bonnet	CW617N
3	Clack	CW617N
4	Gasket	EPDM
5	O Ring	EPDM

Temperature	Pressure	Applications
°C	PN (Bar)	Hot and cold water applications. only can be used for the horizontal line
0.....+95	10	

Check-Valve

Code	R"	L1	L	H	Pcs.
3811-cvs-0b0000	1/2"	12	48	27,5	60
3811-cvs-0c0000	3/4"	12,5	57	33	50
3811-cvs-100000	1"	14	62	35	30
3811-cvs-1a0000	1 1/4"	15	70	40	20
3811-cvs-1b0000	1 1/2"	18	78	45	20
3811-cvs-200000	2"	21	97	56	5



Valves

Check-Valve Assembly and Operating Instructions

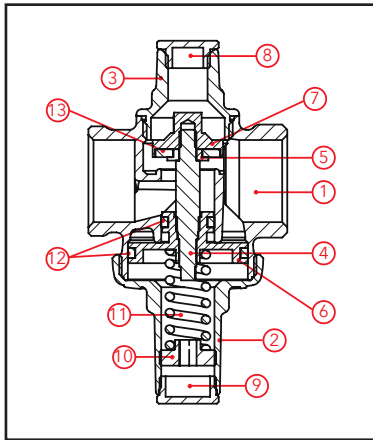
- 1- Before the mounting, Clean all foreign material in the installation. (sand, gravel, dirt, etc.)
- 2- Screw connections, for sealing the threads of the pipe wrap enough teflon and linen. pipe threaded length must be shorter than the check valve threaded length.
- 3- Connect to the system by holding the mouth key of metal check valve. Definitely not tighten holding the middle.
- 4- Valve package, remove the installation time to connect.
- 5- Check valves are one-way valves for switching the direction of flow in the same direction with a check valve, make sure that the direction of the arrow on the body.
- 6- Fluid pressure, check valve shall not exceed the rated pressure.
- 7- Use check valve damaged as a result, re-use, replace it with a new one.

Note: Do not use the valve seal assembly without control.

Note: Installation for the safety of all valves and devices, filtering carry out installation.

Valves

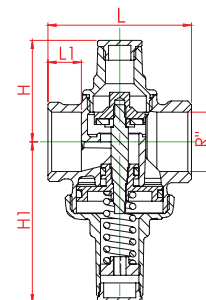
Pressure Reducing Valve



No	Part Name	Material
1	Pressure Valve Body	CuZn40Pb2 Hot Pressed
2	Spring Bonnet	CuZn40Pb2 Hot Pressed
3	Manometer Bonnet	CuZn40Pb2 Hot Pressed
4	Piston Shaft	CuZn39Pb3 Automat
5	Washer Of Piston	CuZn39Pb3 Automat
6	Big Piston	CuZn40Pb2 Hot Pressed
7	Small Piston	CuZn40Pb2 Hot Pressed
8	Stopend	CuZn39Pb3 Automat
9	Stopend	CuZn39Pb3 Automat
10	Pressure Adjustment Nut	CuZn39Pb3 Automat
11	Spring	Stainless Stell
12	O Ring	EPDM
13	Gasket	EPDM

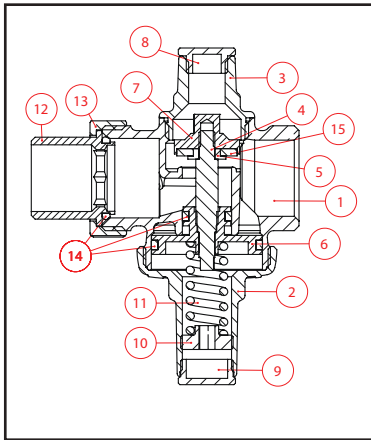
Pressure Reducing Valve

Code	R"	L1	L	H1	H	Pcs.
3811-pvd-0b0000	1/2"	13	58	65	41	20
3811-pvd-0c0000	3/4"	13	58	65	41	20



Valves

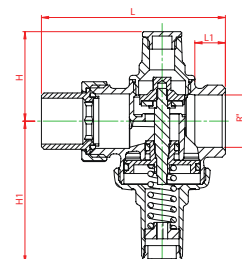
Pressure Valve with Tail



No	Part Name	Material
1	Pressure Valve Body	CuZn40Pb2 Hot Pressed
2	Spring Bonnet	CuZn40Pb2 Hot Pressed
3	Manometer Bonnet	CuZn40Pb2 Hot Pressed
4	Piston Shaft	CuZn39Pb3 Automat
5	Washer Of Piston	CuZn39Pb3 Automat
6	Big Piston	CuZn40Pb2 Hot Pressed
7	Small Piston	CuZn40Pb2 Hot Pressed
8	Stopend	CuZn39Pb3 Automat
9	Stopend	CuZn39Pb3 Automat
10	Pressure Adjustment Nut	CuZn39Pb3 Automat
11	Spring	Stainless Stell
12	3/4" Tail	CuZn40Pb2 Hot Pressed
13	3/4" Tail Nut	CuZn40Pb2 Hot Pressed
14	O Ring	EPDM
15	Gasket	EPDM

Pressure Valve With Tail

Code	R"	L1	L	H1	H	Pcs.
3811-pvd-0b0001	1/2"	14	84,5	65	41	20
3811-pvd-0c0001	3/4"	14	84,5	65	41	20



Valves

Pressure Reducing Valve Assembly and Operating Instructions

- 1- Before of assembly, remove all foreign material (sand, gravel, dirt, etc.) from plumbing.
- 2- Unpack the regulator only when you are going to connect it to the plumbing.
- 3- First connect one side of the regulator to the plumbing. Then, without allowing tensile stress connect the other side as well.
- 4- When assembling or disassembling the regulator valve, use wrench openings on the valve body. Do not assemble by applying force to the body of the regulator valve.
- 5- All regulator parts have 2 year warranty. In case of malfunction, valve will be replaced free of charge during its warranty period.
- 6- Malfunctions caused by not following operating instructions in the User's Guide are not covered by the warranty.
- 7- In plumbing applications: existing local installation regulations and codes of practice should observed and be taken into consideration.
- 8- The maximum working pressure of regulator is 10 bar. The maximum operating temperature is 90° C. Do not use the valves over at this pressures and temperature.
- 9- Connect the pressure regulator after the water meter, with pay attention the arrow direction.
- 10-After the installation, if needed to reduce system pressure, remove the plug (part No.9) at the bottom of the valve body and decrease the tension of the spring (- direction) with 5mm Allen key, set the desired value.

Note: For read the pressure value, put a manometer at upper side of the valve body by removing upper plug (part No. 8).

Note: After the installation process is completed, check the connections for leaks with water. Do not use the valve if it is leaking.
Use Filter fittings at the plumbing for regulator valve security.

Schematic Showing of Montage

Wrap a sufficient amount of Teflon tape on the threads of the pipe to which the pressure regulator is screwed. Use the wrench on the regulator when screwing.

To prevent tensile stress on the pressure regulator body, the thread length of the pipes to be connected should not be longer than the thread length of the regulator.



Valves

In order to monitor the pressure set with the regulator, it is necessary to install a manometer, the upper stopend (part 8) on the body is removed and the manometer is installed. Make sure that there is no water in the system when the stopend is removed and the manometer will be installed. There is pressurized water at this point of the regulator.



After the necessary measurements and settings are made, it is recommended to disassemble and re-install the stopend. Since there will be continuous pressure in the system, the stopend will provide better sealing than the manometer.



By removing the lower stopend (part 9), the pressure can be adjusted with a 5 mm allen key. There is no pressurized water at this point of the regulator. can be opened and adjusted at any time.



By turning the 5mm allen wrench in the (+) direction, the spring tension is increased and the pressure is increased or by turning in the (-) direction, the spring tension is reduced by decreasing. In the installation after the regulator, while the water is flowing, the wrench is adjusted by turning it, while the water is closed, the value is read from the manometer. Replacing the blind plug after pressure adjustment protects the regulator's adjustment section against external influences.



Note: Because of regulator valve can not increase the pressure, water system needs to use water pressure booster if water system pressure lower than 3 bar.

Valves

Notes

Area for handwritten notes, consisting of multiple horizontal dashed lines.

Valves

Notes

Area with horizontal dashed lines for taking notes.

Valves

Notes

Area for handwritten notes, consisting of multiple horizontal dashed lines.



+90 212 876 43 43



+90 212 876 76 49

Kalde Klima A.Ş. İstanbul / Türkiye

info@kaldeklima.com

www.kalde.com